

80
years

*in the service
of the customers*



PLANT AND PRODUCTS OVERVIEW

ORSK CONSTRUCTION
IRONWORK PLANT

www.ozmk.ru

ABOUT THE PLANT

Orsk Construction Ironwork Plant was founded in 1935 and is now one of the largest Russian plants, specialized in production of construction steel structures and unitized quick-mounting buildings of different purpose.

OCIP is a modern plant, possessing an effective production, up-to-date production equipment, highly qualified staff.

High skill level of plant personnel and constantly renewable production equipment stock allows OCIP to be one of the leading suppliers of the steel structure units.

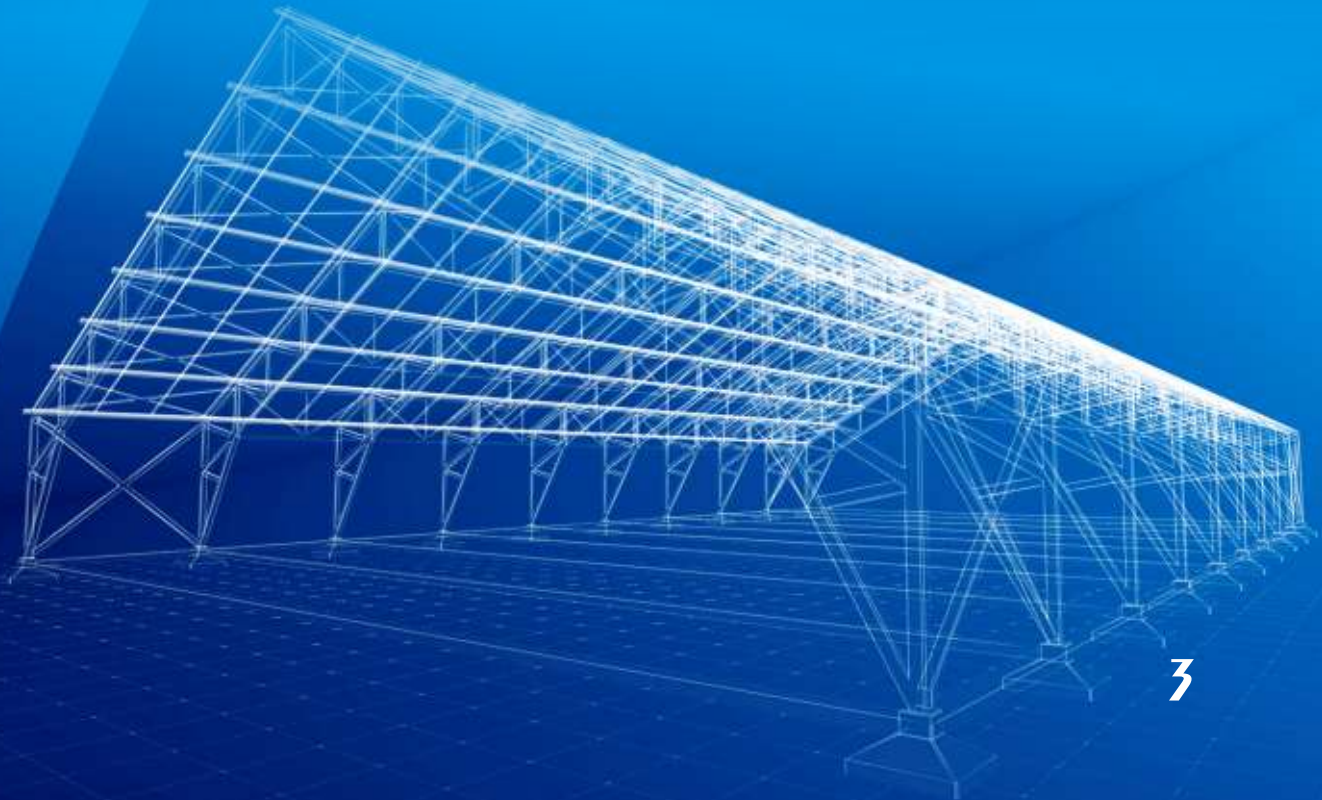


INFRASTRUCTURE

No cl.	Total area of the plant	164 000 square metres
1	Gross building area	85 300 square metres
2	Total area of the main production facilities	73 659 square metres
3	Motorway length	1,8 km
4	Railway length (The nearest station - Nickel station (9 км))	1,5 km
5	Power consumption (electric substation capacity)	7,6 kWt
6	Heating (power gas boiler)	5,2 kWt
7	Water supply	up to 13 200 thousand cubic metres
8	Gas supply	up to 2,0 mln thousand cubic metres

Output products in OCIP:

- Unitized quick-mounting buildings of different purpose;
- Steel welded H-beams with corrugated panel (corrugated beam);
- Steel welded H-beams;
- Steel constructions of power transmission line supports and open distribution devices of substations with voltage 35 Kw and higher;
- Tongued and grooved welded panels;
- Steel trilaminar panels for walls and roofs with mineral wool heat insulator;
- Molded steel sheet sections with trapezoidal corrugations;
- Steel construction thermodiffusion zinc coating.



SALES GEOGRAPHY AND LOCATION of OCIP



Favourable location in the central part of the Russian Federation on the border with Kazakhstan Republic, presence of railway road access to OCIP, closeness to motor way allows us to supply our production in every region of Russia and Central Asia countries very successfully.

OPERATION CONDITIONS OF BUILDINGS MADE OF STEEL STRUCTURE AND THEIR STRONG POINTS

OPERATION CONDITIONS OF BUILDINGS MADE OF STEEL STRUCTURE

Operation of the buildings with the framings made of steel structures is possible in all areas of construction subject to design winter temperature, loadings and stress (for the specific area of construction), rated seismicity of the construction site, place of operation in terms of aggressivity and fire-resistance of the building, humidity of the air in the housing and other conditions.

ADVANTEGES OF USING STEEL STRUCTURE IN CONSTRUCTION:

- economically efficient in case of the bays are large;
- simplicity and minimum period of installation. Building installation is performed in minimum period due to high prefabrication of the assembly parts;
- high quality assurance during operation at low current cost;
- ecological cleanness and safety;
- construction and installation can be performed in any time of the year;
- possibility of the building to be in aesthetic harmony with architectural look of urban area due to individual design solutions;
- application of modern heat insulation materials, fit with strict requirements of energy saving standards, allows to reduce charges for maintenance of the building;
- design flexibility of the framings allows to join up additional buildings or enlarge the dimensions of the existing buildings;
- calculations of the design institutes, confirmed by years-long practice of construction, show that the costs of the steel structure units is 30% less than the cost of the corresponding buildings, brought up from bricks and armed concrete.



UNITIZED QUICK-MOUNTING BUILDINGS OF DIFFERENT PURPOSE



Orsk Construction Ironwork Plant produces unitized quick-mounting buildings of different purpose:

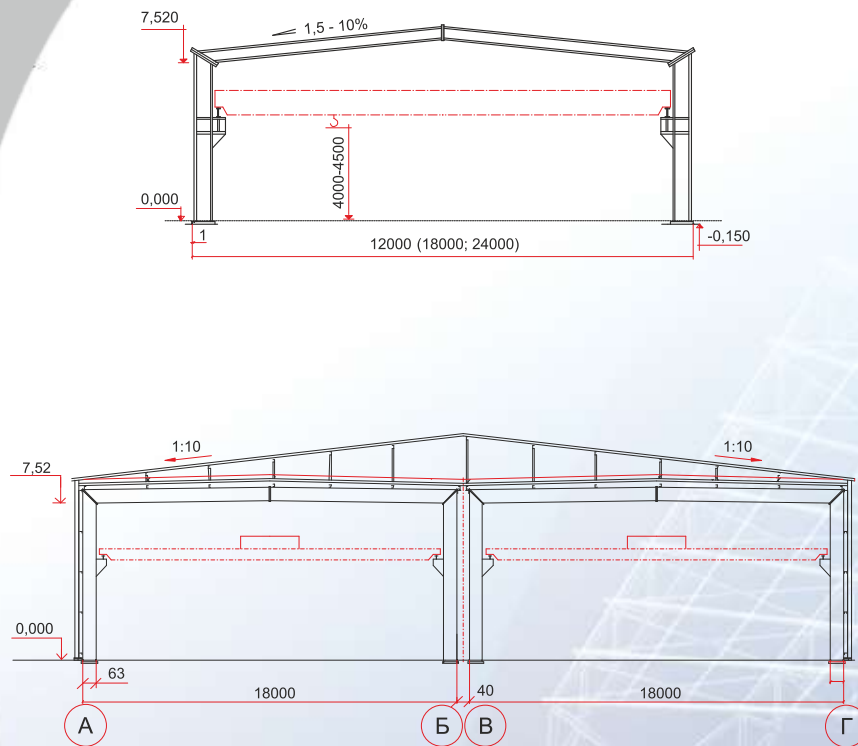
1. Industrial-purpose buildings;
2. Shopping malls and exhibition centers;
3. Logistic terminal blocks;
4. Airsheds for aerotechnics;
5. Autocenters, vehicle service stations, multilevel parking garages;
6. Buildings for agricultural purpose: grain warehouses, vegetable store cellars, grist-mills, birdhouses;
7. Structural steel framing of multi-storeyed inhabited and commercial buildings;
8. Sports and recreation centers for different sport activities.



Basic hardware of supply includes framing, roof covering, wall panels, windows, doors, gates and metalware.

Based on technical design specification or drawings in stage « steel construction drawing» we design and produce supporting steel structure of the framing, which can be of different construction: buildings based on rigid frames of type «Orsk», buildings based on rigid frames of variable cross-section, buildings based on truss type constructions, buildings based on arched constructions, buildings with application of the beam with corrugated panel. Also OCIP produces buildings and constructions upon the individual designs.

Buildings based on rigid frames of type «Orsk»



Buildings of type «Orsk» present themselves the system of framing from plane frames, hinged on the foundation, which are installed with spacing of 6 m. Each frame is single-bay. Multibay buildings are formed by installation of required amount of related autonomous frames, not connected with each other physically. Basic ones are buildings with the bay of 18 and 24 m and with the height up to the bottom of the supporting constructions of 6,3 m for craneless and 7,5 m for a crane variant (overhead travelling cranes with load - lifting capacity of 5 t.).

All the field connections are performed only by way of bolts. Due to unique construction of the framing, installation of the framed buildings of type «Orsk» is noted for simplicity and is performed in very short terms with minimum application of load lifting mechanisms.



BUILDINGS BASED ON RIGID FRAMES OF TYPE «ORSK»

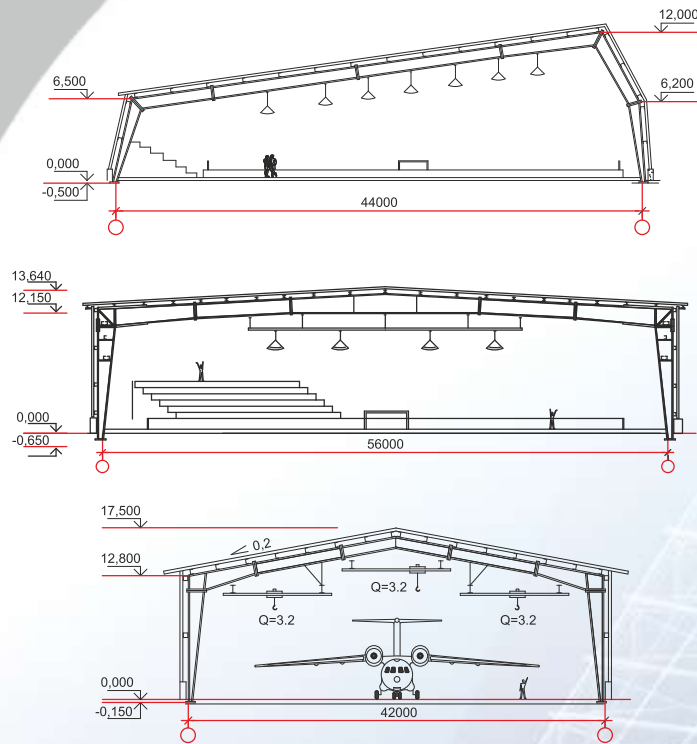
Design documentation for the buildings of that type is worked out in accordance with the typical series of the code 135.00.00.00.00 «Steel rigid frames (of the box section) of the industrial buildings framing. Drawings «Steel structures details» and 618.00.00.00.00 «Steel rigid frames (of the box section) of the industrial buildings framing of type «Orsk» for the IV area according to the ground snow load and IV-VII areas according to wind velocity».

Set of technical documentation for the buildings of type «Orsk» is intellectual property asset of Orsk Construction Ironwork Plant.

As a wall envelope it is possible to use triple-layer walling panels with zinc-plated and painted facing with mineral-wool heat insulation based on the basalt fiber. As a roof coating it is possible to use: roof panels of type «Sandwich» with zinc-plated and painted facing (corrugated sheets, thermal insulation).



BUILDINGS BASED ON RIGID FRAMES OF VARIABLE CROSS-SECTION



Rigid frames of variable cross-section present themselves supporting framings made from welded H-beam of variable cross-section. Buildings with the framing of this type are characterized with minimal steel intensity and architectural significance, flexibility of space and layout designs. Wide possibilities of the rigid frames of variable cross-section allow to use them successfully in the industrial buildings and halls with free bay up to 100 m and more.

While choosing the bay and frame configuration it is necessary to pay attention on the following things:

- in case of the bays are up to 75 m it makes sense to use the rigid frame of variable cross-section of Π -shaped configuration;
- in case of the bays are more than 75 m the steel intensity of the frame is increasing, some difficulties with transportation of the pre-fabricated element arise, that's why it is preferentially to use polygonal envelope, which possesses better weight and stiffening characteristics (saving of the steel can reach 15-25% and more).

In the process of design of the unique units the final decision is made on the basis of comparison of the technical-and-economic indexes of different variants of the building framing decision.



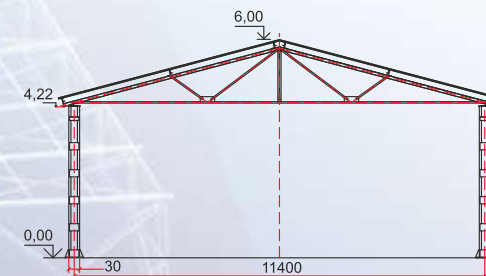
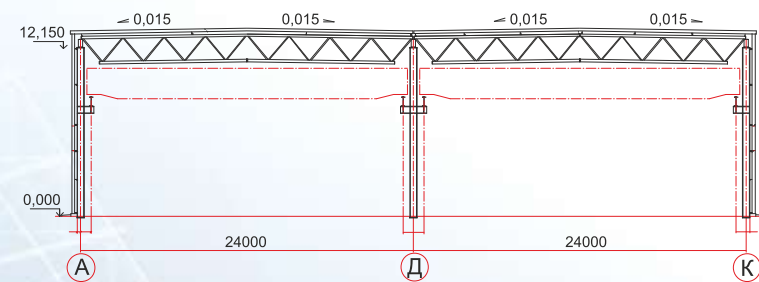
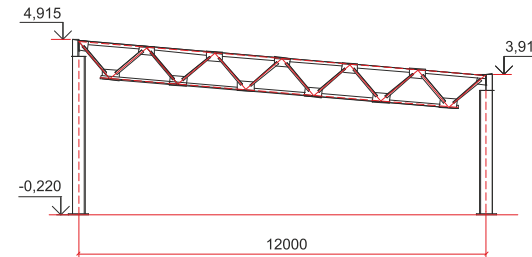
BUILDINGS BASED ON TRUSS TYPE CONSTRUCTIONS



Building framing with truss type constructions consists of the columns fully-fixed in the foundation and trusses, hinged on the columns.

This type of building can be heated or cold, single-bay and multibay, equipped with crane runways for overhead travelling and underhung cranes with load-lifting capacity up to 50 tons.

The bay of the building based on the truss type constructions ranges from 12 up to 36 m and more, height – according to the technical design specification of the Client.



BUILDINGS BASED ON ARCHED CONSTRUCTIONS

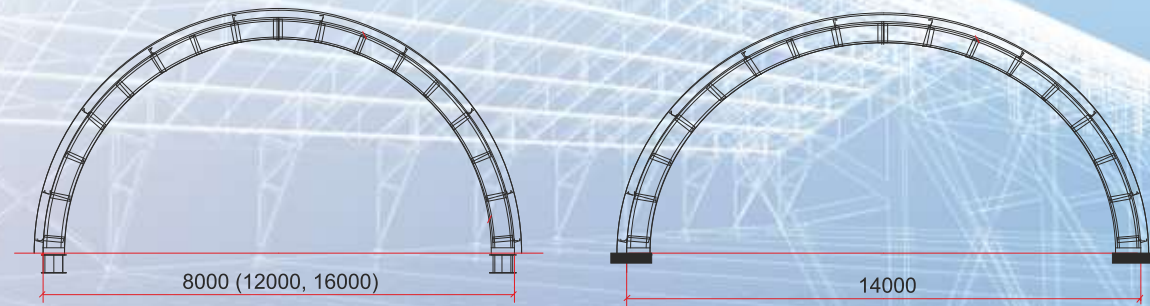


Arch buildings are produced of two types:

1. with a round arch with the width of the bay of 8, 12, 16 m, radius, correspondingly, 4, 6 and 8 m;
2. with an ellipsoid arch with the width of the bay of 14 m.

The arches of the framing consist of prefabricated sections, joined by way of bolts, hinged on the foundation. Facing is made of steel profiled sheet. The length is not limited. The gates are swinging. Can be performed in cold and heat insulated variants. As a thermal insulation mineral wool mats are used.

In the arch hangar a warehouse, a production room, a garage, a sports hall, a shop, a covered market can be placed.



Buildings with application of the beam with corrugated panel



The bay of the building of that type of the construction can be from 6 up to 45 m, spacing of the columns and the height up to the bottom of the supporting constructions - according to the technical design specification of the Client.

Aesthetically, corrugated beam makes the construction look originally, which can consider as a peculiar feature of the design of the building. Line for production of the corrugated beam allows to make fabrication holes on the constructions to facilitate laying and installation of the technical communications.



BUILDINGS AND CONSTRUCTIONS WITH RESPECT TO INDIVIDUAL DESIGNS

OCIP has a great experience and possibilities to produce buildings with respect to individual designs, their own ones and provided by the Client, and also steel structures of different purposes and complexity.

STEEL WELDED H-BEAMS WITH CORRUGATED PANEL (CORRUGATED BEAM)

Beam with corrugated panel presents itself the type of welded H-beam (both uniform cross-section, and variable cross-section), where to reduce the weight of the construction thin sheet sinus-shaped profile is used.

Production of corrugated beams is performed on automated Austrian line «Zeman» in accordance with TY 5261-002-62361323-2013 (certificate of compliance № ПОСС.РУ.АГ39.Н00906).

Application of corrugated beams gives advantages for the following directions:

- saving of the raw material is 10-25% in comparison with typical construction steel structures and 30% in comparison with hot-rolled H-beams;
- maximum supporting ability with minimal dead weight;
- lightweight foundation;
- quick installation due to optimum accuracy of manufacturing and suitable bolted connection of the beams;
- saving of lifting machines while installation;
- original form, allowing the corrugated beams become a peculiar feature of the design;

OCIP is the only plant in Russia, which produce the rolling mill, used in the structure of the corrugated beam panel with thickness of 6 mm.



STEEL WELDED H-BEAMS WITH CORRUGATED PANEL (CORRUGATED BEAM)



Technical parameters:

No cl.	Title of the parameters	Parameter value
1	Panel height, mm	333, 500, 625, 750, 1000, 1250, 1500
2	Beam Length, mm	4000-16000
3	Cap width, mm	120-450
4	Cap thickness, mm	6-30
5	Panel thickness, mm	1,5-6

Designated area of the corrugated beams:

- construction of shopping malls and business centers,
- construction of logistics centers,
- construction of sports centers,
- construction of industrial buildings,
- construction of warehouses.



STEEL WELDED H-BEAMS

OCIP produces steel welded H-beams of uniform cross-section and variable cross-section. In the plant conditions the beams are manufactured on effective up-to-date equipment for using them as details of framing supporting constructions: columns, roof and floor beams of buildings and facilities of different purpose.

The beams are manufactured in accordance with TY 5260-005-62361323-2013.

On a ratio of size and form beams are manufactured of different types:

- welded H-beams replacing steel rolled beams for their geometrical adjectives as per GOST 26020;
- welded H-beams replacing steel rolled beams for their geometrical adjectives as per STO ACCHM 20;
- welded H-beams with individual sizes of panels and caps of the beams in accordance with the application of the Client and design documentation.



There is possibility to manufacture the beams with panels and caps of variable cross-section and bimetal cross-section (using steel of different grades).

It is possible to manufacture beams with maximum length up to 16 m, weight up to 20 t.

Application of welded beam in construction of buildings and facilities allows:

- to reduce the cost of the construction;
- to use more effectively strength properties of the cross-section in case of using beams with individual sizes of the cross-section;
- to increase the sizes of bridge over bays by means of using the beams of more complex cross-section in comparison with hot-rolled ones;
- to reduce waste materials by means of manufacturing the beam of required length;
- to reduce the weight of the construction up to 10% in comparison with hot-rolled ones by means of optimal selection of the solid cross section.



STEEL CONSTRUCTIONS OF POWER TRANSMISSION LINE SUPPORTS AND OPEN DISTRIBUTION DEVICES OF SUBSTATIONS WITH VOLTAGE 35 KW AND HIGHER

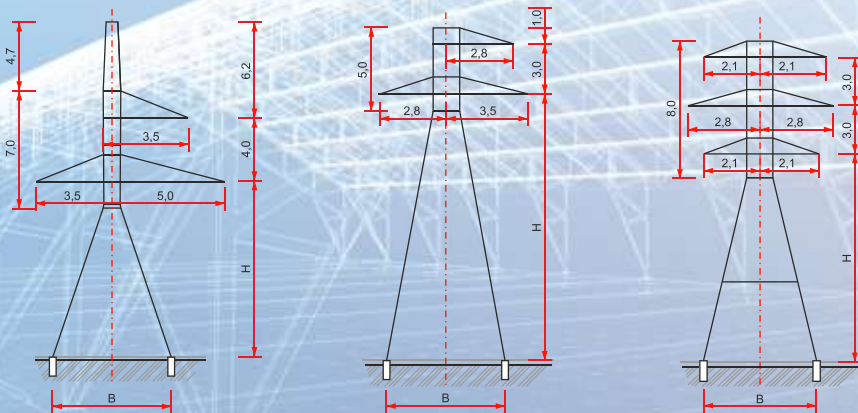


Our plant produces steel constructions of power transmission line supports for power complex (TY 5264-004-62361323-2013) and also the constructions of cell and radio relay towers as per.

High technology and modern equipment allows OCIP to produce all types of steel supports of high-voltage power transmission lines of high quality.

Steel constructions of the supports can be protected from corrosion with the help of cold, hot or thermodiffusion zinc coating (in accordance with requirements of Regulation on engineering policy OOO «Federal Grid Company of Unified Energy System (FGC UES)», «Technological design standards of steel supports of high-voltage power transmission lines with voltage of 35-750 kW» and, guided by letter of information of FGC UES № 2A/29/3 dtd 24.01.2009), what allows to keep protective properties of the constructions in weather conditions of mild, boreal and frigid climate at least 50 years.

Production of the beams is performed based on the Client's drawings or the drawings, worked out in the plant in compliance with technical requirements of the Client. Constructions of steel supports are assembled without welding on high-strength bolting, metalware are supplied zinc-coated. All the supports go through controlled assembly in plant conditions.



TONGUED-AND-GROOVED WELDED PANELS

Orsk Construction Ironwork Plant produces tongued-and-grooved welded panels, intended for use in constructions of engineering facilities back wall of different purpose:

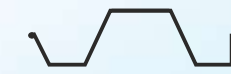
- 1) berthing facilities in sea and river ports;
- 2) dry-docks;
- 3) flood gates;
- 4) coast-protection dams and afflux bank;
- 5) abutments and pier of the bridges;
- 6) walls of the tunnels and other underground facilities;
- 7) fencing for production islands;
- 8) temporary fencing of different pits.

Types of tongued-and-grooved welded panels produced in OCIP:

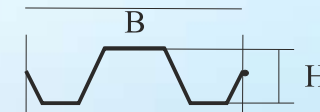
- 1) Tongued-and-grooved welded panel of hat section in accordance with TY 5264-003-62361323-2013.

Technical parameters:

No	Title of the parameters	Parameter value
1	Panel width along the locks, mm	1 500
2	Panel profile height, mm	400, 450, 500, 600, 700, 800
3	Panel length, mm	4-24
4	Thickness of the panels, mm	10-14
5	Thickness of the caps, mm	12-25



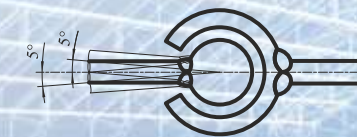
Angular panel right



Ordinary panel



Angular panel left



The scheme of the castle in the mix



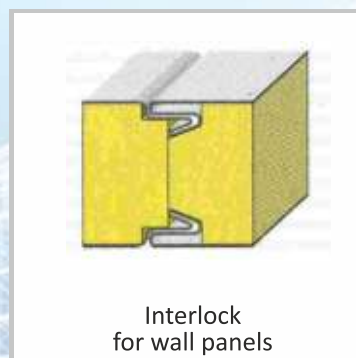
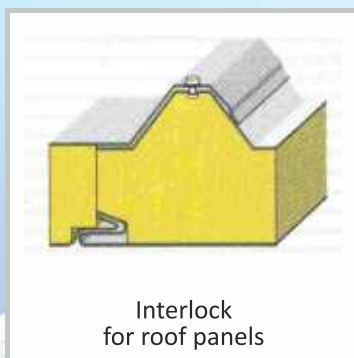
- 2) Tongued-and-grooved welded panel with any individual characteristics based on the technical requirements of the Customer.



STEEL TRILAMINAR PANELS FOR WALLS AND ROOFS WITH MINERAL WOOL HEAT INSULATOR (SANDWICH PANELS)

OCIP produces adhesive panels for walls and roofs with mineral wool heat insulator based on basalt fiber with laterally-oriented direction of the fibers (TY-5284-001-62361323-2013). These panels are effective thermal insulator, persistent to temperature deformation, nonhygroscopic and flameproof.

Types of interpanel connections



At Client's option the panels are packed with a set of shaped elements (cover strips, water removing ridge details), which provide the building with style and architectural significance.

Technical parameters:

No cl.	Title of the parameters	Wall sandwich panels	Roof sandwich panels
1	Standard thickness of the panel (insulator), mm	50, 80, 100, 120, 150, 175, 200, 225, 250	50, 80, 100, 120, 150, 175, 200, 225, 250
2	Standard width of the panels, mm	1200	1000

STEEL TRILAMINAR PANELS FOR WALLS AND ROOFS WITH MINERAL WOOL HEAT INSULATOR (SANDWICH PANELS)

For manufacturing of sandwich-panels facings thin – walled zinc-coated painted steel with thickness of 0,5 mm; 0,6 mm and 0,7 mm steel is used.

The colour of polymeric coating is chosen upon the catalogue RAL.



Advantages of application of sandwich-panels in construction:

- high thermal-insulating properties make possible reducing the thickness of walls and baffles, increasing by this useful space of the building;
- persistent anticorrosive coating;
- high-level of fire-resistance of the panels;
- high thermo- and soundproofing properties;
- universal performance of interpanel connections;
- wide color range of polymeric coating;
- light weight of the panels makes their installation easier and does not require special lifting equipment;
- installation of the panels is performed with the help of self-tapping screws and rivets.

High level of plant prefabrication of sandwich panels allows to use them in the construction of new units and to perform reconstruction of the existing buildings with visible economic benefit by means of reducing the costs of installation works and shortening the time of setting into operation.

For adding the final aesthetic physical form and for increasing the panels service lifetime by means of additional corrosion protection system painted facings are used. At Client's option special protective film is applied, which ensures safety of the covering during transportation and installation.



Molded STEEL SHEET SECTIONS WITH TRAPEZOIDAL CORRUGATIONS



Orsk Construction Ironwork Plant produces corrugated sheets for walls and roofs as per GOST 24045-2010 from zinc-coated and zinc-coated painted steel.

Manufacturing of the corrugated sheets presents itself the process of cold rolling of coiled steel with thickness from 0,5 (0,55) to 0,8 mm.

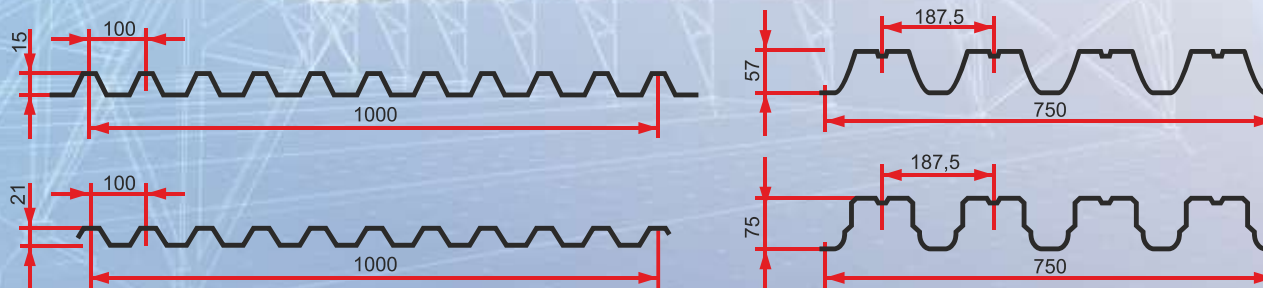
Types of corrugated sheets, produced in our plant:

No cl.	Title	Sheet length*, m	Sheet width, mm	Steel thickness
1	C 15	1,8-12	1000	0,55, 0,6, 0,7
2	C21	1,8-12	1000	0,55, 0,6, 0,7, 0,8
3	H57	1,8-12	750	0,7, 0,8
4	H75	1,8-12	750	0,7, 0,8

* - corrugated sheets are cut according to specified sizes, given by the Client, which allows to avoid damages of the corrugated sheets while cutting, and also to save on waste materials.

The colour of polymeric coating is chosen upon the catalogue RAL.

All types of corrugated sheets effectually combine maximal useful space of the surface, supporting characteristics, secure interlock and modern original physical form. Upon the request of the Client non-standard precast components and fixing system can be supplied together with corrugated sheets.



THERMODIFFUSION ZINC COATING

Thermodiffusion zinc coating consists in zinc diffusion from zinc powder blend into steel outer layer induced by the temperature and forming protective, corrosion-resistant surface. Application of the coating by means of this method takes place in hermetically sealed container, put into the special furnace, which provides even, timed heating up of the details in special saturating mixture.

Zinc coating, received by thermodiffusion method satisfies the requirements of ASTM B633, ASTM B695, Britain standard BS 4921-1988 and GOST P51163-98 of the Russian Federation.





Advantages of the thermodiffusion zinc coating technology:

- the coating has higher hardness, than other zinc coating and possesses good abrasive resistance;
- the saturation temperature is respectively not too high, that's why the coating can be applied on the workpiece of spring steels, and also on other prepared heat-treated workpieces;
- the process can be used for application of the coating on the workpieces, received by powder technology method, on cellular bodies, and also on preassembled actuated parts and welded workpieces;
- allows to reach any thickness of the coating in the range from 5 to 120 micron according to the requirement of the Client without changing the technological process;
- allows to cover hollow parts, pipes, fittings, threaded details, with opened and closed holes, inner and outer sides of component details, as it doesn't change their geometry and doesn't give zinc build-up in the places of recesses or connecting threads;
- the coating perfectly imitates the contours of the workpieces, homogeneously along the thickness on all the detail;
- corrosive resistance of the coating 3-5 times higher than electrolytic coating, and 1,5-2 times higher than hot zinc coating while operation in industrial and marine atmosphere.

Orsk Construction Ironwork Plant provides services for thermodiffusion zinc coating of steel structures and pipes (certificate of compliance ROSS RU. AI95.H07420) for building complex, road-transport facilities, energy, communication, oil and gas, chemical and metallurgical sector, mining and transport industry, agriculture and communal services:

- pipes with diameter of 25-300 mm, length up to 6 m;
- pipes with diameter of 75-300 mm, length up to 12 m;
- sort rolling of the profile 25-300 mm, length up to 6 m;
- sort rolling of the profile 75-300 mm, length up to 12 m;
- metalware, length up to 250 mm, weight up to 2 kg.

Nowadays it is impossible to imagine a prosperous plant without up-to-date equipment and new technology, which allow to solve difficult tasks and facilitate increasing of the output, and the foundation of the stabile development of the plant – orientation on maximal full realization of the clients preferences. Up-to-date equipment of world companies production is implemented in the plant. Due to modernization we improved the quality of our production, labour efficiency and the output was increased, time of manufacture and supply of the steel structures were shortened as much as possible.



Production capacity is as follows:

- steel structures – 2000 t/month;
- corrugated beam (marketable) – 300 t/month;
- steel welded H-beams – 300 t/month;
- sandwich-panels no less than – 62 000 square metres/month;
- corrugated sheets – 180 000 square metres/month;
- steel constructions of power transmission line supports, cellular communication towers no less than – 200 t/month;
- tongued-and-grooved welded panels no less than – 400 t/month;
- thermodiffusion zinc coating – 200 t/month (including steel products).



Production base «OCIP» equipped with everything necessary for the production of metal construction equipment, including:

№ cl.	Name of the equipment	Description
1	Zeman/ Automated line Zeman	Manufacture of corrugated beams with the height 330÷1500 mm, length 4÷16 m with automated cutting, welding.
2	Automated line Ficep Tibo B 251 with NC	Manufacture of sheet formed pieces, groundings with automated cutting, drilling, punching of the holes, marking
3	Automated line Ficep A164T with NC	The range of working of the angle section is 40÷160 with automated spacing, cutting, perforation, drilling, marking
4	Portable oxygen machine of thermal cutting with NC PKLZ-2-12 «Termit»	The width of the working sheet is 2000 mm The length of the working sheet is 16000 mm The number of supports (cutters) is 7 (6 for longitudinal cutting, 1 for crosscutting) The thickness of the sheet cut by one cutter is from 8 to 160 mm The thickness of the 6 sheets cut simultaneously is from 8 to 40 mm NC system «MicroEDGE Pro»
5	Portable oxygen plasma machine with NC PKPLZ-2-12 «Termit»	The width of the working sheet is 2000 mm The length of the working sheet is 13000 mm The number of supports (cutters) is 2 (1 plasma and 1 gas-oxygen) The thickness of the sheet cut: plasma technology from 1 to 32 mm gas-oxygen from 8 to 200 mm NC system «Hypertherm EDGE Pro»
6	Tunnel shot-blast machine «Lauco»	Automated continuous working of steel sheet and profile. Pass width of the piece: 1500 mm Pass height of the piece: 500 mm Capacity: 600-700 t/month
7	Automated line PANELTEC	Manufacture of wall and roof panels with thickness of 50÷250 mm, width of 1000÷1200 mm, length of 2÷13 m
8	Automated line for H-beam production	Line consists of three main mills: - Mill for assembly of H-beams AWH.8015; - Equipment for welding of the beams PWM.DC1000; - Mill for correction of H-beam flanges FMS.32800 Minimum height of the beam – 350 mm Maximum height of the beam – 1500 mm
9	Semiautomatic welding machines PHOENIX-DRIVE 4L, TAURUS 551	Used for semiautomatic welding of steel structures in carbon dioxide environment
10	Automated welding mill PWD.DC.1000- Welding tractor MZ-1000DF	Used for welding of H-beams under the layer of flux.
11	Set of equipment for thermodiffusion zinc coating of steel structures	Strong protection of steel structures from corrosion, used in corrosive and highly corrosive environment/ Size of zinked pieces: Angle №25÷№250 Pipe Ø20÷Ø217 Girder №6÷30 H-beam №8÷30

OCIP has permits for:

a) kinds of activities:

- SRO-P-017-14082009. LICENSE № 0428.01-5614049014-П-017 dtd. 26 of September 2012. «For definite type or types of works, which influence on security of capital construction objects». Works for preparing constructive decisions;
- CERTIFICATE TUV NORD № 44 100 12189. Management systems in compliance with ISO 9001: 2008 OCIP - scope of action «Design and manufacturing of steel structures of different purpose, building envelops of different purpose»;
- NAKS CERTIFICATE № AZST-28-00779 on readiness of the applicant party for using attested technology of welding in compliance with the requirements RD 03-615-03. Appendix to the License AZST-28-00779;
- NAKS CERTIFICATE № AZST-28-00759 on readiness of the applicant party for using attested technology of welding in compliance with the requirements RD 03-615-03. Appendix to the License AZST-28-00759;
- NAKS CERTIFICATE № AZSO-23-01101 for attestation of welding equipment in accordance with the requirements RD 03-614-03;
- ATTESTATION LICENSE №89A111022 dtd. 12.07.2013. of the laboratory of non-destructive testing OCIP. All kinds (methods) of non-destructive testing: Ultrasonic. Ultrasonic inspection.





b) for production:

- CERTIFICATE OF COMPLIANCE GOST R № ROSS RU. AG39.H00906. type BGS and BGSP Production. «Steel welded H-beams with corrugated panel size 1,5 -6x333-1500/6-30x120-450x4000-16000mm. Serial production as per TY 5261-002-62361323-2013;
- CERTIFICATE OF COMPLIANCE №C RU.PB58.B.00807. Construction from trilaminar panels for walls nonloadbearing of steel type PTS-M, with insulator from mineral-wool plate based on the basalt fiber, manufactured as per TY 5284-001-62361323-2013 meets the requirements of Technical rules of fire safety;
- CERTIFICATE OF COMPLIANCE №C RU.PB58.B.00808. Construction from trilaminar panels for roofs of steel type PTK-M, with insulator from mineral-wool plate based on the basalt fiber, manufactured as per TY 5284-001-62361323-2013 meets the requirements of Technical rules of fire safety;
- CERTIFICATE OF COMPLIANCE GOST R № ROSS RU.AG88.H83650. Production: Steel trilaminar panels for walls and roofs with mineral wool heat insulator: PTS-M panel with insulator from mineral-wool plate: PTK-M-panel for roofs with insulator from mineral-wool plate. Serial production as per TY 5284-001-62361323;
- CERTIFICATE OF COMPLIANCE GOST R № ROSS RU.AG92.HO5860. Production. Thermodiffusion zinc coating. GOST R 9.316-2006
- Useful model patent №93825 Sheet-pile wall.



Industrial buildings



Plant for the production of sanitary paper, RK, Almaty, Steel structures weight 435 t



Industrial pump station field Kumkol, Karagandinskaya oblast 15x30x6,35 m. Steel structures weight 30 t



Headgear complex of the mine «Novaya». Puppet head and pithead building, Gay. Steel structures weight 2 588 t



Cement plant, Novotroitsk (group of buildings). Steel structures weight 5 262 t



Plant shell for fiber glass, Elabuga (group of buildings). Steel structures weight 3000 t



Steel structures for the plant, Kamensk Uralsk. Steel structures weight 1956 t



Concrete goods, Atyrau, RK 24+19x140 m. Steel structures weight 265 t



Malls and Car's Service Centers



Shopping and entertainment center "Tape",
Chelyabinsk
Steel structures weight 512 t



Autocenter, Kazan 18,82x24x4,72 m
Steel structures weight 30 t



Exhibition complex «Crocus Expo»,
Moscow. Steel structures weight 730 t



Shopping mall,
Orsk 40x39x3,0/6,9 m

Sport and recreation centres



Covered football field «Red star»
Omsk, size 108x120x26 m



Olympic reserve academy,
Orenburg 58,4x69,9x12,5 m



Sports and recreation centre,
Ponomarevka, Orenburgskaya oblast 24x54x10,5 m

Sport and recreation centres



Ice palace, Novotroitsk
75x43x21, 462 m.
Steel structures weight 278, 896 t



Sports and recreation centre, Zarechniy
50x60x8,1 + 35x45x7,5 + 15x15x15.
Steel structures weight 300 t



Sport complex with swimming pool, Khabarovsk
68x66,375x9,340/14,500 m.
Steel structures weight 650 t

Inhabited buildings



Steel structures of buildings for piping of the objects
«Eastern Siberia - Pacific Ocean»,
Station Lena. Steel structures weight 1900 t

Airsheds



Airshed, Orenburg
51x75x15 m.
Steel structures weight 313 t

Agricultural buildings



Birdhouse, Meleuz

Orsk Construction Ironwork Plant produces steel structures both based on completed drawings and on stand-alone design on an individual basis with optimal constructive option for the objects of any complexity and of different purpose.



FOR NOTES

info@ozmk.ru

www.ozmk.ru

Tel. +7 (3537) 42-87-39, 42-87-40, 42-87-38





info@ozmk.ru
www.ozmk.ru
Tel. +7 (3537) 42-87-39,
42-87-40, 42-87-38



ORSK CONSTRUCTION IRONWORK PLANT

Address:

462401, Russia, Orenburgskaya oblast,
Orsk, Metallistov str., 5

info@ozmk.ru
www.ozmk.ru

Reception of Director General:

Tel +7 (3537) 42-87-01, 42-87-02
Fax +7 (3537) 42-87-27

Procurement department

Tel. +7 (3537) 42-87-28, 42-87-29

Marketing and Sales department

Tel +7 (3537) 42-87-39, 42-87-40
Tel/Fax +7 (3537) 42-87-38